

Roller Shutter Contact

Code: RS002/ALI/G2/AB/1M

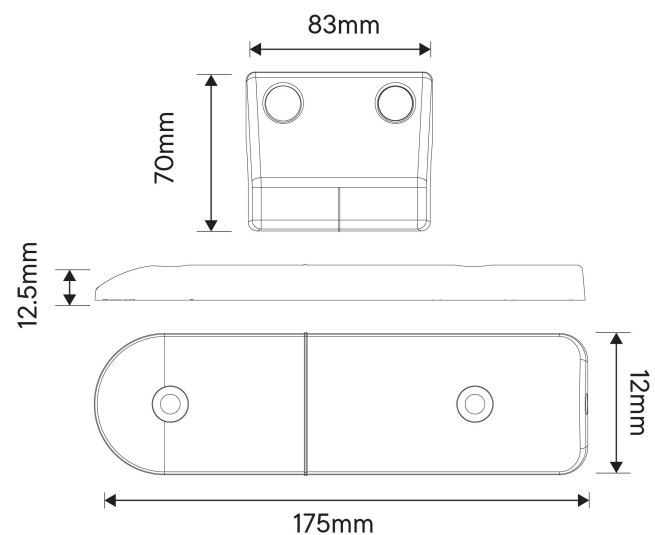
RS002 Type AB 1 mtr Cable | Roller Shutter Contact | Grade 2 | Aluminium | Multi Resistor



This roller shutter contact can be used in most security systems up to and including grade 2 as specified in EN50131-1:2006+A3:2020 and is compliant with EN50131-2-6:2008 and environmental class III. The contact is potted/sealed to prevent access to the inside of the contact.

Features & Benefits

- High Quality Alloy Finish
- Other resistor value available
- 45cm or 1 mtr Armoured cable lengths
- EN50131-2-6 Grade 2
- Environmental Class III



Product Information

CQR Security, 125 Pasture Road, Moreton, Wirral, CH46 4TH
Sales: +44(0)151 6061000 (9am to 5pm Monday to Friday) Tech: +44(0)151 606 6311
sales@cqr.co.uk | www.cqr.co.uk

Company Registration Number: 5192024 | VAT Number: 309 0409 27



Security Grade	2
Environmental Class	Class III
Standards	EN50131-1, EN50131-2-6, EN50130-5
Tamper Protection	Internal
Warranty	2
Connection type	Wired

Housing

Colour	Aluminium
Material	Aluminium

Electrical

Connection type	Wired
No. of terminals	8 Wire
Contact type	Normally Closed
Contact Material	Ruthenium
Wire length (mm)	1000

Features

Mode of operation	DP, EOL/FSL
Resistor Type	A, B
Operation Axes (X, Y, Z)	X, Y
Pull-in gap (X, Y, Z)mm	25, 50
Suitable for Double Door	Yes
No. of terminals	8 Wire

