

## Flush Magnetic Contact

Code: *FC505/WH*

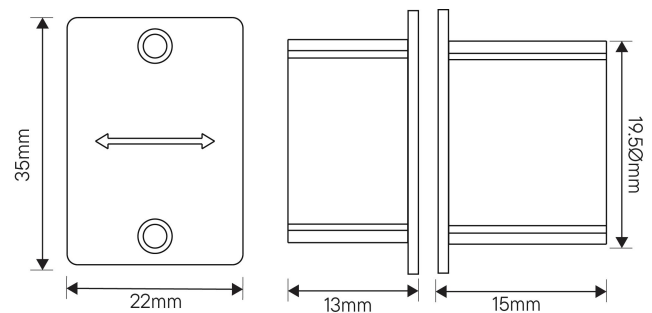
FC505 | Flush Contact | Grade1 | White | Non-resistored



This Flush mounted magnet contact can be used in security systems up to and including grade 1 and environmental class II as specified in EN50131-1 and is compliant with EN50131-2-6. It operates as a normally closed circuit going open when the magnet is removed. This contact is not suitable for ferrous surfaces

### Features & Benefits

- Quick Fit Flush Magnetic Contact
- Body 19(dia) x 15 - Face plate 35 x 22mm
- 5 Terminal
- Operating Gap - 20mm
- EN50131-2-6 Grade 1
- Environmental Class II



### Product Information

Security Grade

1

**CQR Security, 125 Pasture Road, Moreton, Wirral, CH46 4TH**

Sales: +44(0)151 6061000 (9am to 5pm Monday to Friday) Tech: +44(0)151 606 6311

sales@cqr.co.uk | www.cqr.co.uk

Company Registration Number: 5192024 | VAT Number: 309 0409 27



<b>Environmental Class</b>	Class II
<b>Standards</b>	EN50131-1, EN50131-2-6, EN50130-5
<b>Warranty</b>	2
<b>Connection type</b>	Screw

## Housing

<b>Colour</b>	White
<b>Material</b>	HIPS

## Electrical

<b>Connection type</b>	Screw
<b>No. of terminals</b>	5 Screw
<b>Contact type</b>	Normally Closed
<b>Contact Material</b>	Palladium

## Features

<b>Mode of operation</b>	SP
<b>Operation Axes (X, Y, Z)</b>	X, Y, Z
<b>Pull-in gap (X, Y, Z)mm</b>	18, 20, 20
<b>Suitable for Double Door</b>	Yes
<b>No. of terminals</b>	5 Screw

