



## Surface Magnetic Contact

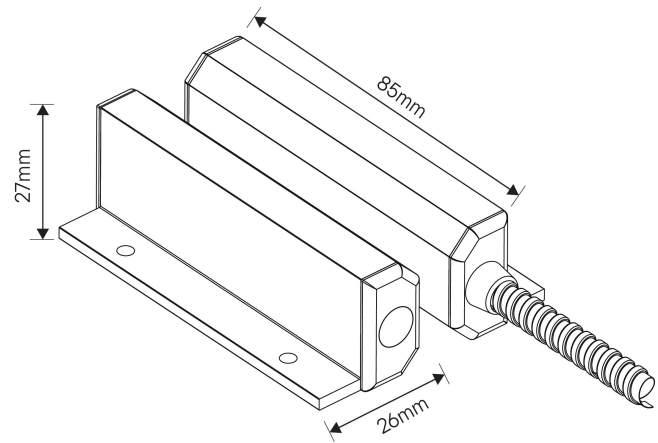
Code: GP001/G2

GP001 | Surface Contact | Grade 2 | Aluminium | Non-resistored

This heavy duty surface mounted magnetic contact can be used in most security systems up to grade 2 as specified in EN50131-1 and is compliant with EN50131-2-6 and environmental class II (for use indoors). This contact can be used on doors and windows to detect the unauthorised entry of an intruder. A number of applications are shown over. The contact is sealed to prevent access to inside of the unit.

### Features & Benefits

- High Quality Alloy Finish
- Double pole configuration
- 57cm Armoured cable lengths
- EN50131-2-6 Grade 3
- Environmental Class II



### Product Information

Security Grade	2
Environmental Class	Class III

**CQR Security, 125 Pasture Road, Moreton, Wirral, CH46 4TH**

Sales: +44(0)151 6061000 (9am to 5pm Monday to Friday) Tech: +44(0)151 606 6311

sales@cqr.co.uk | www.cqr.co.uk

Company Registration Number: 5192024 | VAT Number: 309 0409 27



<b>Standards</b>	EN50131-1, EN50131-2-6, EN50130-5
<b>Tamper Protection</b>	Internal
<b>Warranty</b>	2
<b>Connection type</b>	Wired

## Housing

<b>Colour</b>	Aluminium
<b>Material</b>	Aluminium / ABS

## Electrical

<b>Connection type</b>	Wired
<b>No. of terminals</b>	4 Wire
<b>Contact type</b>	Normally Closed
<b>Contact Material</b>	Rhodium
<b>Wire length (mm)</b>	470

## Features

<b>Mode of operation</b>	DP
<b>Operation Axes (X, Y, Z)</b>	Y, Z
<b>Pull-in gap (X, Y, Z)mm</b>	30, 40
<b>Suitable for Double Door</b>	Yes
<b>No. of terminals</b>	4 Wire

