

Electronic Panic Button

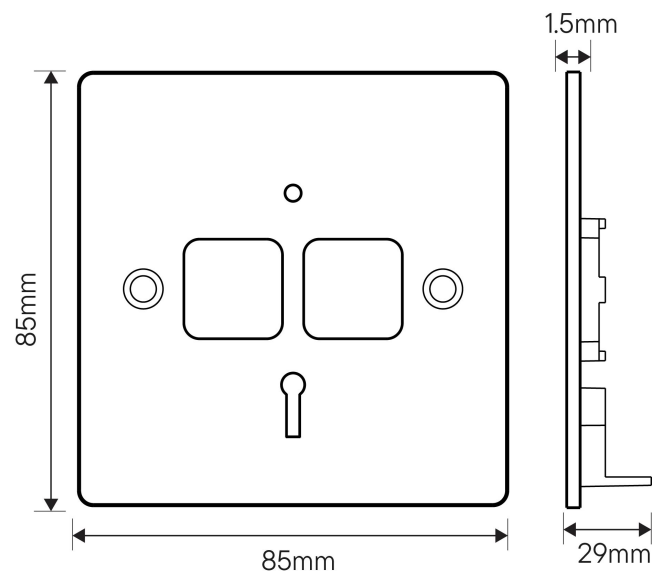
Code: EPA/STD/SS

Panic Button | Electronic | Grade 2/3 | Stainless Steel | Key Resettable

CQR Panic buttons are used in emergencies, providing instant alerts to alarm systems or monitoring stations. Ideal for domestic and commercial premises such as shops, offices, schools, healthcare settings, and high-risk environments, they help ensure a quick response when safety is at stake.

Features & Benefits

- Surface or flush fitting ideal for improved aesthetics
- Cover Tamper: spring tamper protection
- Latching
- LED indicator to show activation
- 8 terminals with change over relay
- Key resettable
- Spare keys available



CQR Security, 125 Pasture Road, Moreton, Wirral, CH46 4TH
Sales: +44(0)151 6061000 (9am to 5pm Monday to Friday) Tech: +44(0)151 606 6311
sales@cqr.co.uk | www.cqr.co.uk

Company Registration Number: 5192024 | VAT Number: 309 0409 27



Product Information

Security Grade	3
Environmental Class	II
Standards	EN50131-1, EN50130-5
Tamper Protection	RFMS Spring
Warranty	2
Connection Type	Terminals

Housing

Colour	Stainless Steel
Material	Stainless Steel

Electrical

Voltage Range (Vdc)	12
Nominal Voltage (Vdc)	12
Connection Type	Terminals

Features

Visual Indication	Yes
Reset Method	Key
Confirmed Output	No
Operation Mode	Push
Timed	No
Mounting Method	Surface / Flush
No. Terminals	8

Mechanical

Mounting Method	Surface / Flush
------------------------	-----------------