



Surface Magnetic Contact

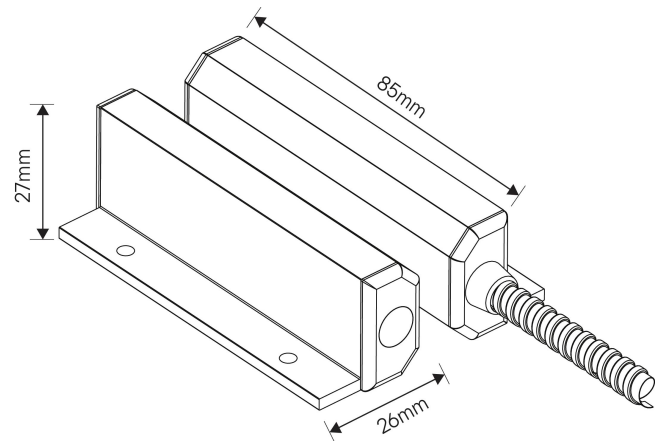
Code: GP001/AB/G3

GP001 Type AB | Surface Contact | Grade 3 | Aluminium | Pre-resistored

This heavy duty surface mounted magnetic contact can be used in most security systems up to grade 3 as specified in EN50131-1 and is compliant with EN50131-2-6 and environmental class II (for use indoors). This contact can be used on doors and windows to detect the unauthorised entry of an intruder. A number of applications are shown over. The contact is sealed to prevent access to inside of the unit.

Features & Benefits

- High Quality Alloy Finish
- Double pole configuration
- Other resistor value available
- 57cm Armoured cable lengths
- Magnetic Detection
- EN50131-2-6 Grade 3
- Environmental Class II



Product Information

CQR Security, 125 Pasture Road, Moreton, Wirral, CH46 4TH

Sales: +44(0)151 6061000 (9am to 5pm Monday to Friday) Tech: +44(0)151 606 6311

sales@cqr.co.uk | www.cqr.co.uk

Company Registration Number: 5192024 | VAT Number: 309 0409 27



Security Grade	3
Environmental Class	Class II
Standards	EN50131-1, EN50131-2-6, EN50130-5
Tamper Protection	Internal & MID
Warranty	2
Connection type	Wired

Housing

Colour	Aluminium
Material	Aluminium / ABS

Electrical

Connection type	Wired
No. of terminals	8 Wire
Contact type	Normally Closed
Contact Material	Rhodium
Wire length (mm)	470

Features

Mode of operation	DP, EOL/FSL
Resistor Type	A & B
Operation Axes (X, Y, Z)	Y, Z
Pull-in gap (X, Y, Z)mm	8, 8
Suitable for Double Door	Yes
No. of terminals	8 Wire

