



Double Push Panic Button

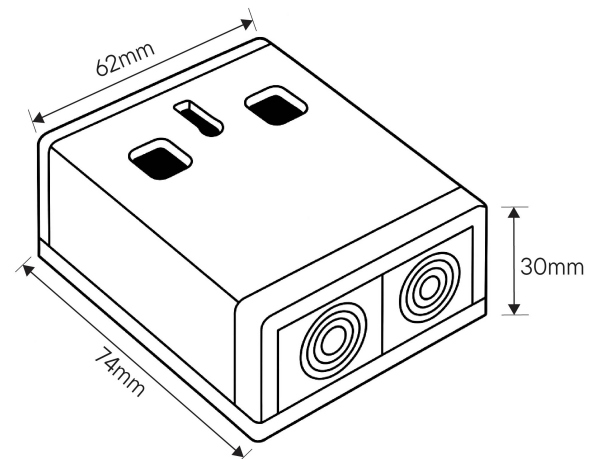
Code: PADP3/SS/BK

Panic Button | Double Push | Grade 3 | Stainless Steel / Black | Key Resettable

CQR manufacture two ranges of Double Push Panic Buttons, providing a discreet method of raising the notification of a potential threat, with the reduced possibility of false activation due to having two buttons for activation.

Features & Benefits

- Micro-switch alarm and tamper
- Can be used as a DP or Eol
- Selectable end of line resistors built in: A, B, D, E & I
- Selectable for normally open / normally closed
- Indicator to show activation
- 4 terminals
- Key resettable
- Latching / Non-Latching



CQR Security, 125 Pasture Road, Moreton, Wirral, CH46 4TH
Sales: +44(0)151 6061000 (9am to 5pm Monday to Friday) Tech: +44(0)151 606 6311
sales@cqr.co.uk | www.cqr.co.uk

Company Registration Number: 5192024 | VAT Number: 309 0409 27



Product Information

Security Grade	3
Environmental Class	II
Standards	EN50131-1, EN50130-5
Tamper Protection	Cover & RFMS
Warranty	2
Connection Type	Terminals

Housing

Colour	Stainless Steel / Black
Material	ABS & Stainless Steel

Electrical

Connection Type	Terminals
------------------------	-----------

Features

Visual Indication	Yes
Features Selected by	Jumper
Reset Method	Key
Confirmed Output	No
Operation Mode	Push
Timed	No
Mounting Method	Surface
Built-in Resistor Types	A, B, D, E, I
No. Terminals	4

Mechanical

Mounting Method	Surface
------------------------	---------